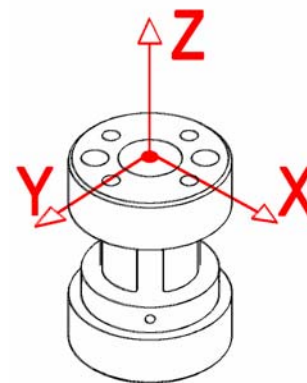


Extraneous Load Factors

Equation: $\sigma_{max} \geq (A)Fx + (B)Fy + (C)Fz + (D)Mx + (E)My + (F)Mz$



Material: Aluminum 2024-T4 (AL*), 17-4 P.H. Stainless Steel (*S.S.)

Material	Capacity (in-lb)	A	B	C	D	E	F
AL*	100	133.35	133.35	11.53	95.45	95.45	197.90
	150	94.29	94.29	9.01	50.65	50.65	97.35
	500	41.38	41.38	2.88	33.56	33.56	26.03
	1,300	18.80	18.80	1.63	14.83	14.83	11.14
*S.S.	3,000						

σ_{max} **Table**

Material	Static Load (=60% Y.S.)	Fatigue (Non Reversing Loads)	Fatigue (Full Reversing Loads)
2024-T4/T351	28,000	18,000	15,000
17-4PH S.S	87,000	78,000	62,000*

*Value is 75% of Fatigue Strength based on 10-20 x 10⁶ cycles and allow for factors that influence Fatigue such as surface finish, stress concentrations, corrosion, temperature and other variables for the production of the transducer, for infinite Fatigue Life (100 x 10⁶) use 75% of values shown.

This documentation was generated and completed to the best ability of FUTEK’s Engineering Team using FEA Analysis, Empirical data and Multiple Testing Simulations. The information and recommendations on this document are presented in good faith and believed to be correct however, FUTEK Advanced Sensor Technology makes no representations or warranties as to the completeness or accuracy of the information.